



BLADE 150
RY-150BL



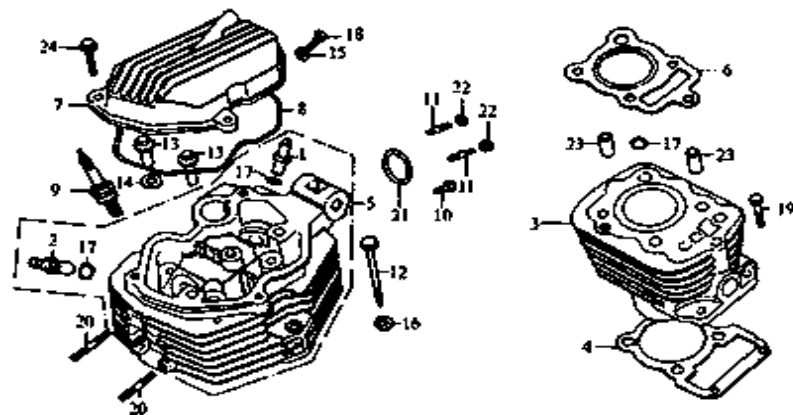
SPARES

ENGINE PARTS

INDEX

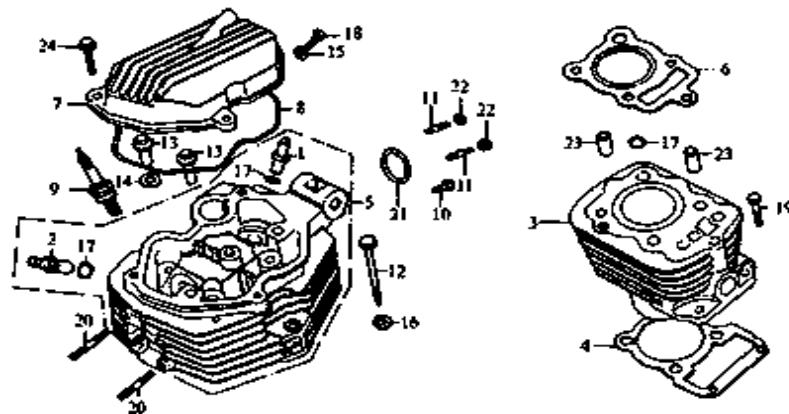
ASSY NO.	DESCRIPTION	PAGE NO.
A1	CYLINDER BLOCK/CYLINDER HEAD ASSY	1-2
A2	VALVE/CAM SHAFT ASSY	3-4
A3	CRANKSHAFT ASSY	5-6
A4	CRANKCASE ASSY	7-8
A5	OIL PUMP/OIL FILTER ASSY	9-10
A6	CLUTCH ASSY	11
A7	RIGHT CRANKCASE COVER	12
A8	TRANSMISSION ASSY	13-16
A9	GEAR SHAFT ASSY	17-18
A10	LEFT CRANKCASE COVER/MAGNETO ASSY	19-20
A11	STARTING MOTOR ASSY	21

A1 - CYLINDER BLOCK/CYLINDER HEAD ASSY



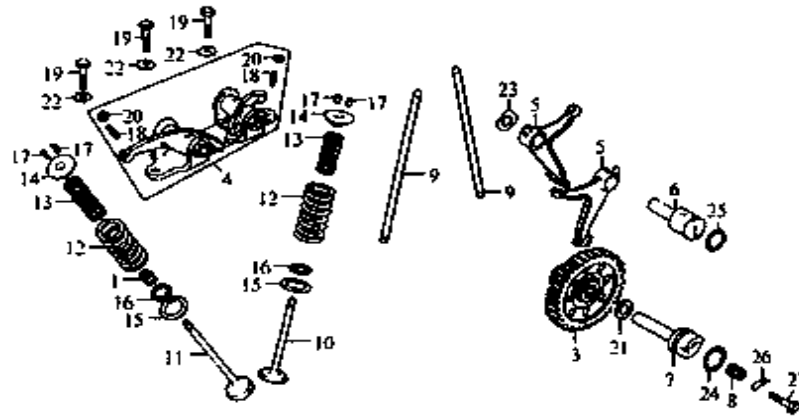
S.NO.	PART CODE	DESCRIPTION	QUANTITY
A1 - 1	F00A000	INTAKE VALVE GUIDE	1
A1 - 2	F00A100	EXHAUST VALVE GUIDE	1
A1 - 3	30215A078	CYLINDER BLOCK	1
A1 - 4	G001B017	GASKET, CYLINDER BLOCK	1
A1 - 5	3022A034	CYLINDER HEAD COMP	1
A1 - 6	3024B018	GASKET, CYLINDER HEAD	1
A1 - 7	F006A039	CYLINDER HEAD COVER	1
A1 - 8	F00C017	SEAL RING	1
A1 - 9	F013D021	SPARK PLUG DR8EA	1
A1 - 10	96006025	STUD M6x20	1
A1 - 11	F00M014	STUD M6x22	2
A1 - 12	302M015	STUD M8x85	1
A1 - 13	F00M016	NUT	4
A1 - 14	F00L028	WASHER	2
A1 - 15	D00L020	WASHER Ø6	1

A1 - CYLINDER BLOCK/CYLINDER HEAD ASSY



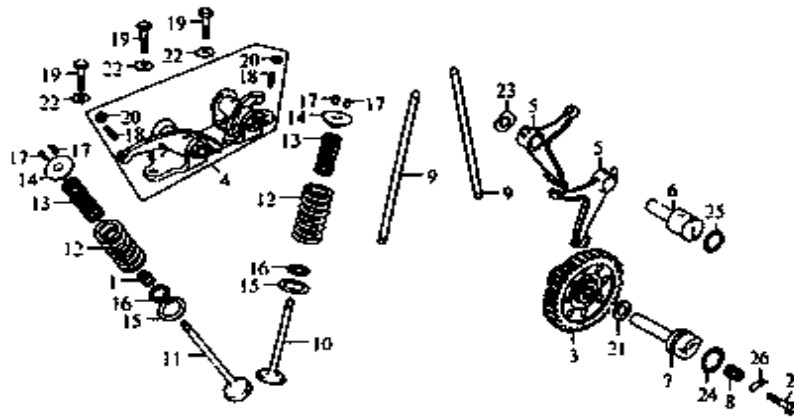
S.NO.	PART CODE	DESCRIPTION	QUANTITY
A1 - 16	F001L001	WASHER Ø8	1
A1 - 17	F00C063	O-RING 9.4x2.4	3
A1 - 18	96006012	BOLT M6x12	1
A1 - 19	96006025	BOLT M6x25	2
A1 - 20	G00M007	BOLT M8x35	2
A1 - 21	F00C050	O-RING 33.5x3	1
A1 - 22	100706000	NUT M6	2
A1 - 23	97010020	DOWEL PIN 10x20	2
A1 - 24	578906028	BOLT M6x28	3

A2 - VALVE/CAM SHAFT ASSY



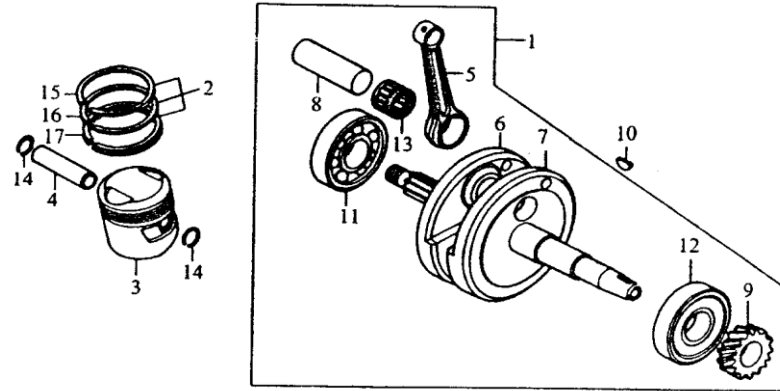
S.NO.	PART CODE	DESCRIPTION	QUANTITY
A2 - 1	F00C043	OIL SEAL, VALVE	1
A2 - 3	F002F030	CAM GEAR, TIMING	1
A2 - 4	F00F000	ROCKER ARM BASE	1
A2 - 5	F00F037	ROCKER ARM	2
A2 - 6	302F038	SHAFT,ROCKER ARM	1
A2 - 7	F00F040	CAM SHAFT	1
A2 - 8	F00H005	SPRING, CAM SHAFT	1
A2 - 9	3021F036	PUSH ROD	2
A2 - 10	302F045	INLET VALVE	1
A2 - 11	302F039	EXHAUST VALVE	1
A2 - 12	F00H003	VALVE SPRING, OUTER	2
A2 - 13	F00H004	VALVE SPRING, INNER	2
A2 - 14	F031F034	RETAINER, VALVE SPRING	2
A2 - 15	F00F031	SEAT, VALVE SPRING OUTER	2
A2 - 16	F00F032	SEAT, VALVE SPRING INNER	2

A2 - VALVE/CAM SHAFT ASSY



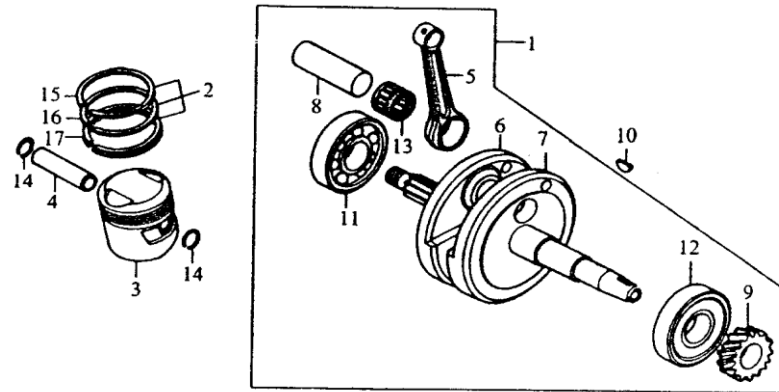
S.NO.	PART CODE	DESCRIPTION	QUANTITY
A2 - 17	F031F033	CLIP, VALVE	4
A2 - 18	F00F001	SCREW, VALVE CLEARANCE ADJUSTMENT	2
A2 - 19	578308028	BOLT M8×28	3
A2 - 20	F00F002	NUT, VALVE CLEARANCE ADJUSTMENT	2
A2 - 21	F00L045	WASHER	1
A2 - 22	F001L002	WASHER	3
A2 - 23	F00L043	WASHER	1
A2 - 24	F002C066	O-RING 20×2.5	1
A2 - 25	F001C067	O-RING 17×2.5	1
A2 - 26	F00L028	CAM SHAFT STOPPER	1
A2 - 27	96006012	BOLT M6×12	1

A3 - CRANKSHAFT ASSY



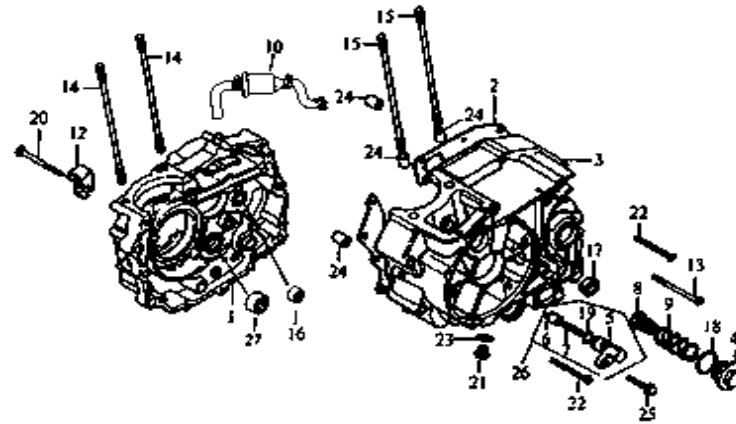
S.NO.	PART CODE	DESCRIPTION	QUANTITY
A3 - 1	3029J100	CRANKSHAFT ASSY	1
A3 - 2	302J033	PISTON RING SET	1
A3 - 3	3023J114	PISTON	1
A3 - 4	F00J112	PISTON PIN	1
A3 - 5	302J024	CONNECTING ROD	1
A3 - 6	302J025	CRANKSHAFT, R	1
A3 - 7	302J026	CRANKSHAFT, L	1
A3 - 8	302J027	PIN, CRANK SHAFT	1
A3 - 9	302J003	DRIVE GEAR, TIMING	1
A3 - 10	302J001	WOODRUFF KEY	1
A3 - 11	2766328	BEARING	1
A3 - 12	2766328RS	BEARING	1
A3 - 13	302J008	ROLLER BEARING	1
A3 - 14	F001J011	CIRCLIP	2
A3 - 15	302J009	PISTON RING NO.1	1

A3 - CRANKSHAFT ASSY



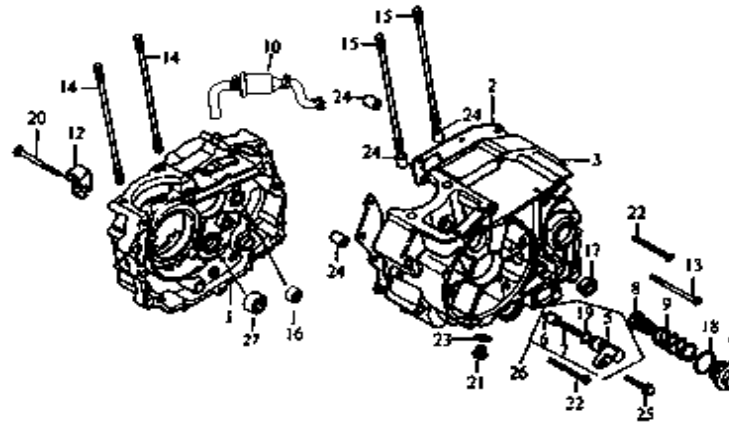
S.NO.	PART CODE	DESCRIPTION	QUANTITY
A3 - 16	302J010	PISTON RING NO.2	1
A3 - 17	302J015	PISTON RING COMBINATION	1

A4 - CRANKCASE ASSY



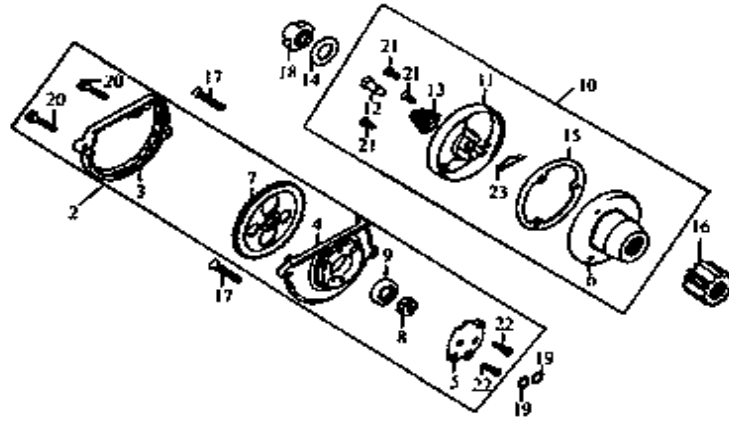
S.NO.	PART CODE	DESCRIPTION	QUANTITY
A4 - 1	H09A020	RIGHT CRANKCASE COMP	1
A4 - 2	H09B005	GASKET	1
A4 - 3	H091A010	LEFT CRANKCASE COMP	1
A4 - 4	F03A032	OIL FILTER COVER	1
A4 - 5	302F017	PRESSURE PIN	1
A4 - 6	302F018	PIN	1
A4 - 7	302H010	SPRING	1
A4 - 8	F00C037	STRAINER, OIL FILTER COMP.	1
A4 - 9	F00H008	SPRING	1
A4 - 10	3051C024	OIL AND WATER SEPERATOR	1
A4 - 12	F031L031	STAY, CLUTCH CABLE	1
A4 - 13	96006095	BOLT M6×95	1
A4 - 14	3021M001	STUD A M8×143	2
A4 - 15	3021M002/302M002	STUD B M8×141	2
A4 - 16	2901512	NEEDLE BEARING HK 152312	1

A4 - CRANKCASE ASSY



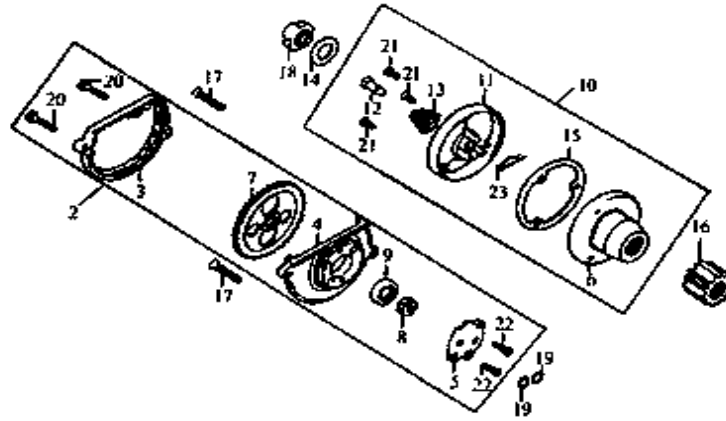
S.NO.	PART CODE	DESCRIPTION	QUANTITY
A4 - 17	F00C046	OIL SEAL 14×28×7	1
A4 - 18	F001C057	O-RING 35.5×3	1
A4 - 19	F00C068	O-RING 13×25	1
A4 - 20	96006055	BOLT M6×55	1
A4 - 21	D00E026	DRAIN PLUG	1
A4 - 22	96006050	BOLT M6×50	9
A4 - 23	D00L022	WASHER FOR DRAIN PLUG	1
A4 - 24	97010014	DOWEL PIN 10×14	2
A4 - 25	96006025	BOLT M6×25	1
A4 - 26	3021F016	PRESSURE PIN COMP	1
A4 - 27	2902110	NEEDLE BEARING HK 2110	1

A5 - OIL PUMP/OIL FILTER ASSY



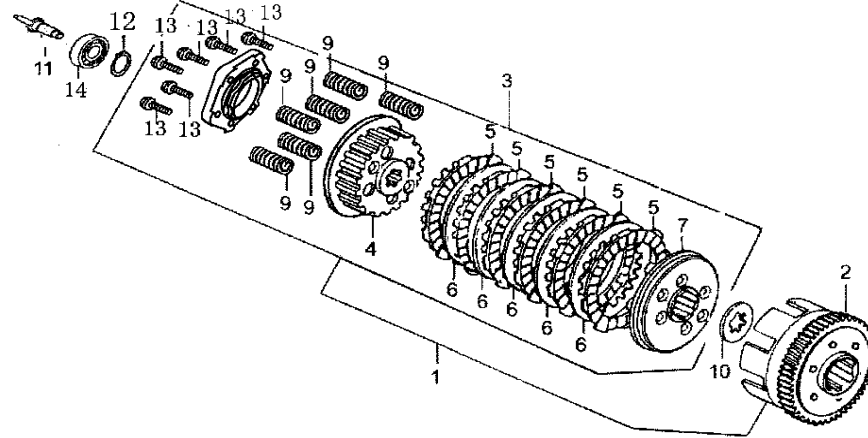
S.NO.	PART CODE	DESCRIPTION	QUANTITY
A5 - 2	30210E000	OIL PUMP ASSY	1
A5 - 3	302E002	COVER, OIL PUMP	1
A5 - 4	302E003	BODY, OIL PUMP	1
A5 - 5	302E004	INNER PLATE, OIL PUMP	1
A5 - 6	302E012	BODY, OIL FILTER	1
A5 - 7	302E005	DRIVEN GEAR	1
A5 - 8	302E006	INNER ROTATOR	1
A5 - 9	302E007	OUTER ROTATOR	1
A5 - 10	F00E010	OIL FILTER COMP	1
A5 - 11	F00E011	COVER, OIL FILTER	1
A5 - 12	F00E024	OIL PIPE	1
A5 - 13	F00H001	SPRING	1
A5 - 14	F00G052	WASHER	1
A5 - 15	F00B015	GASKET	1
A5 - 16	F00K015	DRIVEN GEAR	1

A5 - OIL PUMP/OIL FILTER ASSY



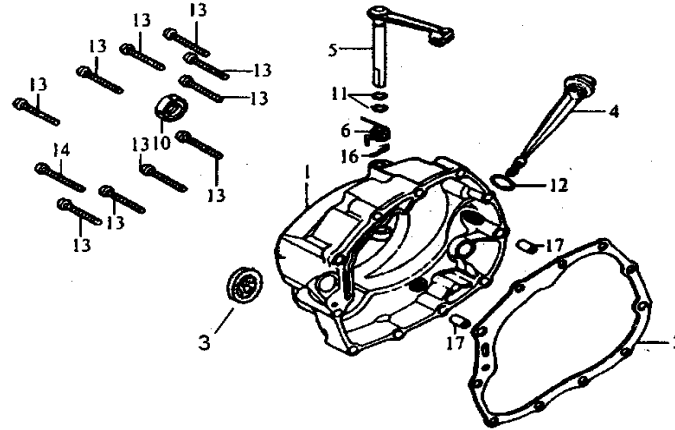
S.NO.	PART CODE	DESCRIPTION	QUANTITY
A5 - 17	81906030	SCREW M6×30	2
A5 - 18	A00G055	NUT	1
A5 - 19	F00C063	O-RING	1
A5 - 20	578305020	BOLT M5×20	2
A5 - 21	81905012	SCREW M5×12	3
A5 - 22	82004012	SCREW M4×12	2
A5 - 23	F00H010	LIMIT PIN	1

A6 - CLUTCH ASSY



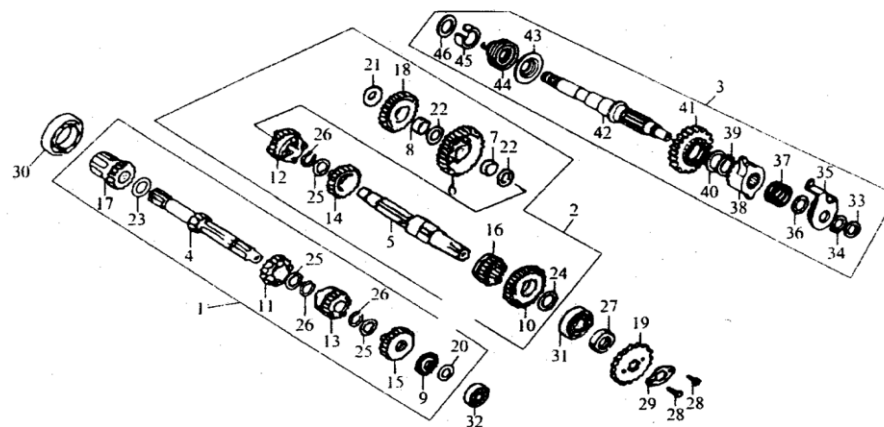
S.NO.	PART CODE	DESCRIPTION	QUANTITY
A6 - 1	F0013G060	CLUTCH BODY ASSY	1
A6 - 2	F00G170	OUTER COMP,CLUTCH	1
A6 - 3	F00-8-3	CLUTCH DISC COMP	1
A6 - 4	F00-8-4	CENTER SLEEVE, CLUTCH	1
A6 - 5	F00-8-5	CLUTCH FRICTION PLATE	6
A6 - 6	F00-8-6	CLUTCH PLATE	5
A6 - 7	F00-8-7	PRESSURE PLATE	1
A6 - 8	F00-8-8	END COVER, CLUTCH	1
A6 - 9	F00-8-9	SPRING	4
A6 - 10	F00-8-10	SPRING WASHER	1
A6 - 11	F00-8-11	ROD, CLUTCH PUSH	1
A6 - 12	F04F022	SNAP RING 20 MM	1
A6 - 13	F00-8-13	BOLT M6×22	4
A6 - 14	2766003	BEARING 6003	1

A7 - RIGHT CRANKCASE COVER



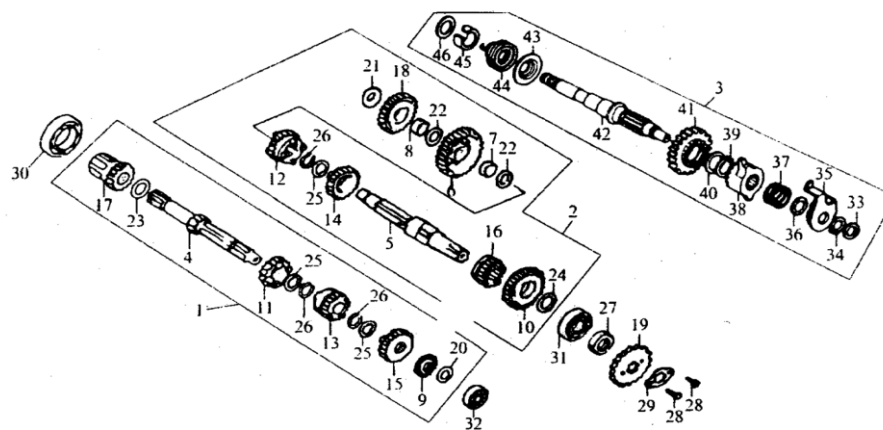
S.NO.	PART CODE	DESCRIPTION	QUANTITY
A7 - 1	F0093A034G	RIGHT CRANKCASE COVER	1
A7 - 2	F00B002	GASKET	1
A7 - 3	D00C027	OIL LEVEL WINDOW	1
A7 - 4	F00C038	DIPSTICK OIL GAUGE	1
A7 - 5	311G010	CLUTCH ROD	1
A7 - 6	F031H007	SPRING	1
A7 - 10	F00C015	OIL SEAL 16×28×7	1
A7 - 11	F001C111	O-RING 8.7×1.9	2
A7 - 12	D00C060	O-RING 18×3	1
A7 - 13	96006040	SCREW M6×40	10
A7 - 14	96006050	SCREW M6×50	1
A7 - 16	F02D048	COTTER PIN 3×16	1
A7 - 17	97008014	DOWEL PIN 8×14	2

A8 - TRANSMISSION ASSY



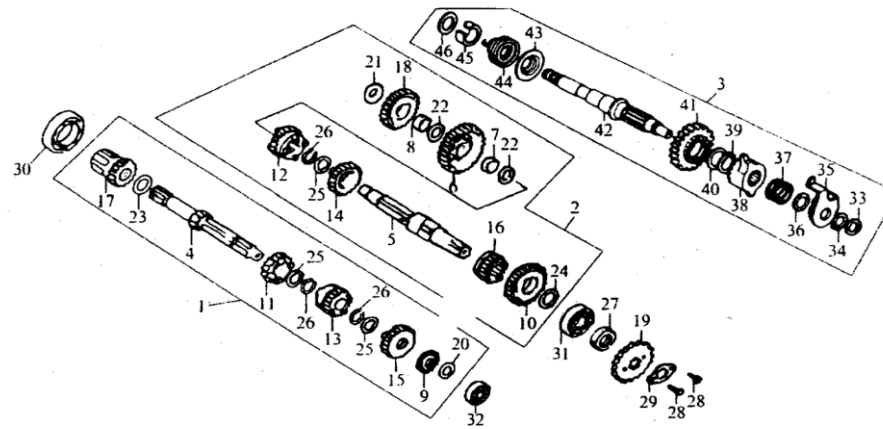
S.NO.	PART CODE	DESCRIPTION	QUANTITY
A8 - 1	H09K030	MAIN SHAFT ASSY	1
A8 - 2	H091K040	COUNTER SHAFT ASSY	1
A8 - 3	F001I000	KICK STARTER SHAFT ASSY	1
A8 - 4	H09K031	MAIN SHAFT	1
A8 - 5	H09K041	COUNTERSHAFT	1
A8 - 6	302K042	FIRST GEAR,COUNTERSHAFT	1
A8 - 7	302K043	BUSH	1
A8 - 8	302K044	BUSH	1
A8 - 9	302K032	SECOND GEAR,MAIN SHAFT	1
A8 - 10	302K045	SECOND GEAR,COUNTERSHAFT	1
A8 - 11	302K033	THIRD GEAR,MAIN SHAFT	1
A8 - 12	302K046	THIRD GEAR,COUNTERSHAFT	1
A8 - 13	302K034	FOURTH GEAR,MAIN SHAFT	1
A8 - 14	302K047	FOURTH GEAR,COUNTERSHAFT	1
A8 - 15	302K035	FIFTH GEAR,MAIN SHAFT	1

A8 - TRANSMISSION ASSY



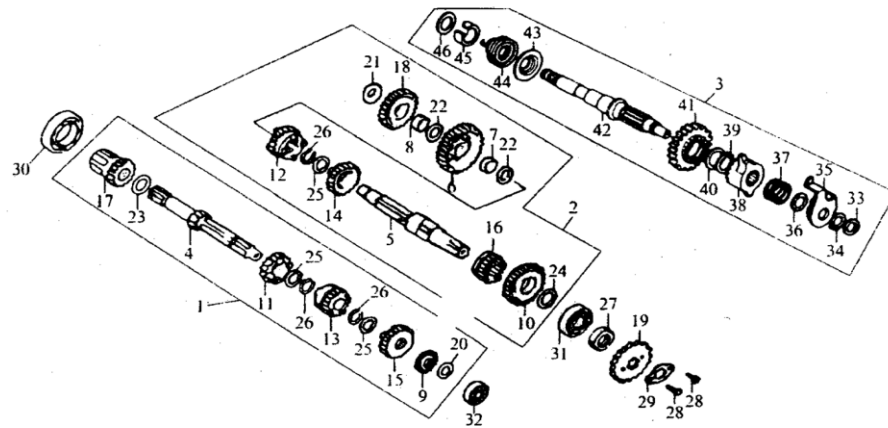
S.NO.	PART CODE	DESCRIPTION	QUANTITY
A8 - 16	302K048	FIFTH GEAR,COUNTERSHAFT	1
A8 - 17	302K036	STARTING GEAR, MAIN SHAFT	1
A8 - 18	302K049	STARTING GEAR, COUNTER SHAFT	1
A8 - 19	F003K014	OUTPUT SPROCKET	1
A8 - 20	F00K037	WASHER	1
A8 - 21	F00K038	WASHER	1
A8 - 22	F00K039	WASHER	2
A8 - 23	F00K050	WASHER	1
A8 - 24	F00K051	WASHER	1
A8 - 25	F00K052	SPLINE WASHER	3
A8 - 26	F00K053	CIRCLIP	3
A8 - 27	F00C042	OIL SEAL 20×34×7	1
A8 - 28	578306010	BOLT M6×10	1
A8 - 29	F00K013	LOCATING PLATE, SPROCKET	1
A8 - 30	2766006	BEARING 6006	1

A8 - TRANSMISSION ASSY



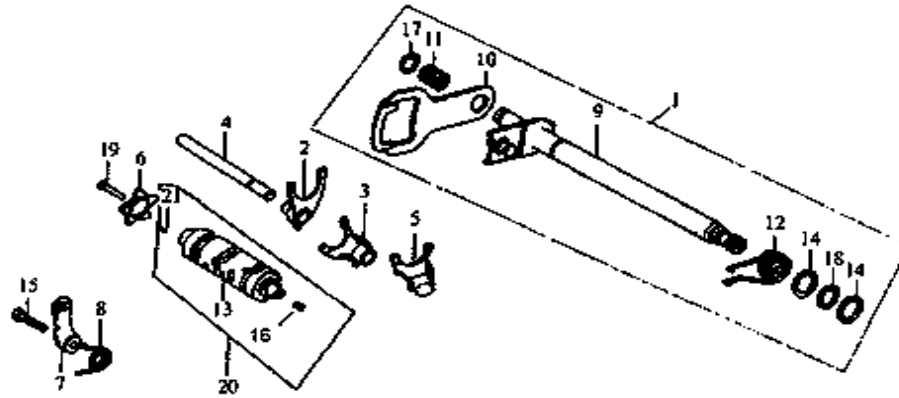
S.NO.	PART CODE	DESCRIPTION	QUANTITY
A8 - 31	2766204	BEARING 6204	1
A8 - 32	2766202ZTM	BEARING 6202Z	1
A8 - 33	F00I001	WASHER	1
A8 - 34	F00I002	CIRCLIP 16MM	1
A8 - 35	F00I003	RATCHET GUIDE	1
A8 - 36	F00I004	WASHER	1
A8 - 37	F00I005	RATCHET SPRING	1
A8 - 38	F00I006	RATCHET GEAR	1
A8 - 39	F00I007	CIRCLIP 20MM	1
A8 - 40	F00I008	WASHER	1
A8 - 41	F00I009	STARTING GEAR	1
A8 - 42	F00I010	STARTING SHAFT	1
A8 - 43	F00I011	SPRING SEAT	1
A8 - 44	F00I012	RESET SPRING	1
A8 - 45	F00I013	SPRING SLEEVE	1

A8 - TRANSMISSION ASSY



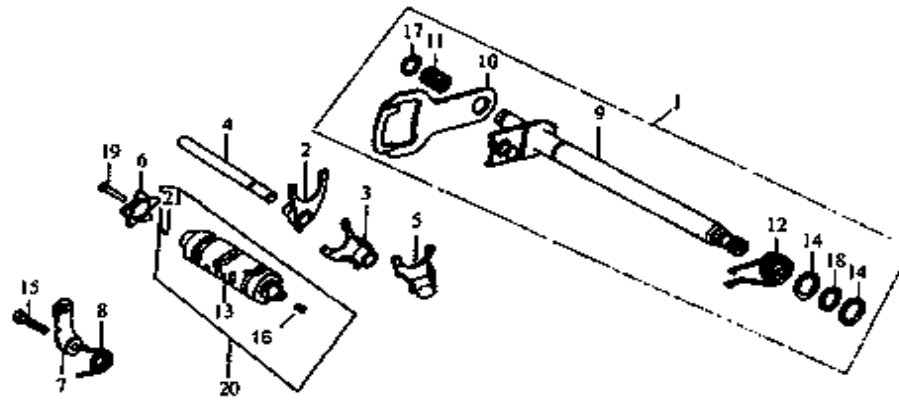
S.NO.	PART CODE	DESCRIPTION	QUANTITY
A8 - 46	FOOIO14	WASHER	1

A9 - GEAR SHAFT ASSY



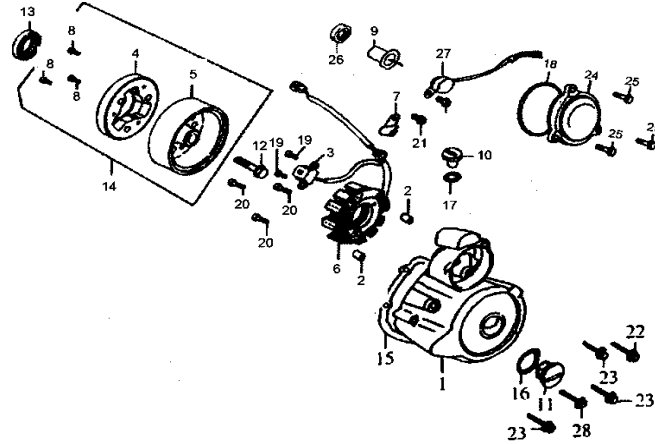
S.NO.	PART CODE	DESCRIPTION	QUANTITY
A9 - 1	F031K000	GEARSHIFT SHAFT COMP	1
A9 - 2	F00K061	FORK, GEAR SHIFT, R	1
A9 - 3	F00K064	FORK, CENTER GEAR SHIFT	1
A9 - 4	F00K073	SHAFT, GEAR SHIFT FORK	1
A9 - 5	F00K065	FORK, GEAR SHIFT, L	1
A9 - 6	F00K023	CAM, GEAR SHIFT	1
A9 - 7	F03K070	DRUM STOPPER	1
A9 - 8	F031H009	RESET SPRING	1
A9 - 9	F00K001	SHAFT COMP	1
A9 - 10	F00K002	GEAR SHIFT PLATE	1
A9 - 11	F00K003	SPRING, GEAR SHIFT PLATE	1
A9 - 12	F00K004	RESET SPRING	1
A9 - 13	F00K066	DRUM, GEAR SHIFT	1
A9 - 14	F00K005	WASHER	2
A9 - 15	578306020	BOLT M6×20	1

A9 - GEAR SHAFT ASSY



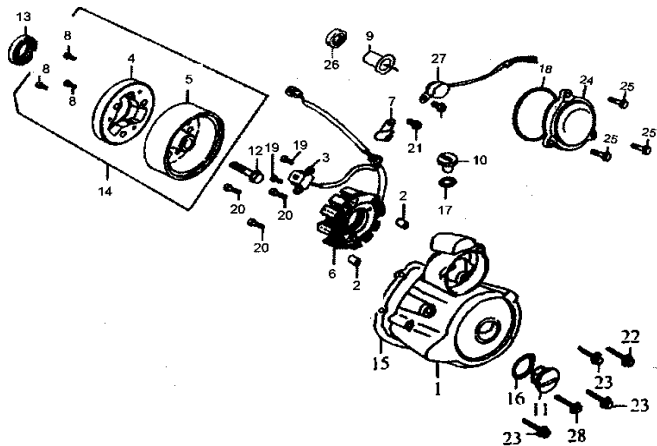
S.NO.	PART CODE	DESCRIPTION	QUANTITY
A9 - 16	302-11-16	SPRING, GEAR INDICATOR	1
A9 - 17	F00K006	CIRCLIP 12MM	1
A9 - 18	F00K007	CIRCLIP 14MM	1
A9 - 19	578306025	BOLT M6×25	1
A9 - 20	F005K060	GEARSHIFT CAM COMP	1
A9- 21	F00K008	PIN 4×10	1

A10 - LEFT CRANKCASE COVER/MAGNETO ASSY



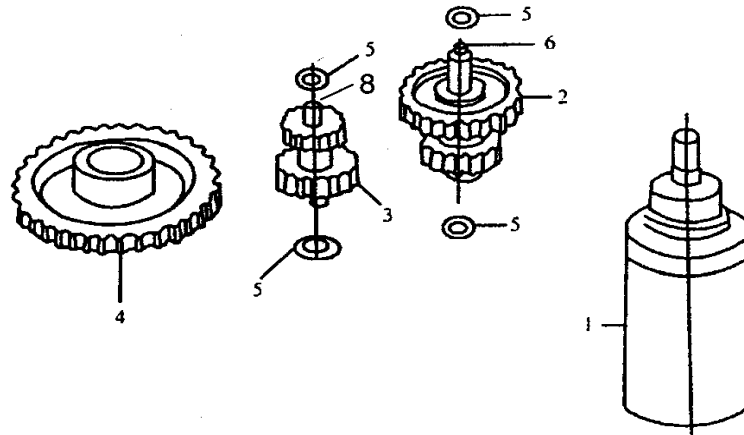
S.NO.	PART CODE	DESCRIPTION	QUANTITY
A10 - 1	F0013A040	LEFT CRANKCASE COVER	1
A10 - 2	97010014	DOWEL PIN 10×14	2
A10 - 3	F00D051	TRANSDUCER	1
A10 - 4	302G070	START CLUTCH BODY	1
A10 - 5	G051D060	ROTOR,MAGNETO	1
A10 - 6	F0045D070	STATOR,MAGNETO	1
A10 - 7	F00L011	WIRE CLAMP	1
A10 - 8	7008030	SCREW M8×30	3
A10 - 9	F00D040	CONTACT SWITCH SET, GEAR INDICATOR	1
A10 - 10	D00A042	PLUG, WATCH HOLE	1
A10 - 11	D00A043	COVER	1
A10 - 12	96010035	LOCK BOLT	1
A10 - 13	F00C013	OIL SEAL, CRANKSHAFT(50×34×7)	1
A10 - 14	F00D050	FLYWHEEL COMP	1
A10 - 15	F00B001	GASKET, LEFT CRANKCASE COVER	1

A10 - LEFT CRANKCASE COVER/MAGNETO ASSY



S.NO.	PART CODE	DESCRIPTION	QUANTITY
A10 - 16	D001C051	O-RING FOR PLUG 27.5×2.4	1
A10 - 17	D002C052	O-RING, WATCH HOLE PLUG 13.8×2.5	1
A10 - 18	F001C056	O-RING 63×3	1
A10 - 19	578305016	SCREW M5×16	2
A10 - 20	578305030	SCREW M5×30	3
A10 - 21	96006012	BOLT M6×12	2
A10 - 22	96006025	BOLT M6×25	1
A10 - 23	96006040	BOLT M6×40	5
A10 - 24	F005A045	UPPER COVER	1
A10 - 25	96006020	SCREW M6×20	3
A10 - 26	F00C045	NEUTRAL INDICATOR OIL SEAL	1
A10 - 27	F007D030	NEUTRAL INDICATOR	1
A10 - 28	96006050	BOLT M6×50	2

A11 - STARTING MOTOR ASSY




S.NO.	PART CODE	DESCRIPTION	QUANTITY
A11 - 1	F06D020	STARTING MOTOR ASSY	1
A11 - 2	H091K019	DOUBLE GEARS ASSY 1	1
A11 - 3	H09K142	DOUBLE GEARS ASSY 2	1
A11 - 4	H092K021	STARTING GEAR	1
A11 - 5	F03L023	WASHER	4
A11 - 6	H09K020	DOUBLE GEARS SHAFT 1	1
A11 - 7	2901010	NEEDLE BEARING HK101410	2
A11 - 8	H09K037	DOUBLE GEARS SHAFT 2	1



Raybar

www.raybarmotorcycles.com

 /raybarmoto